

1

2

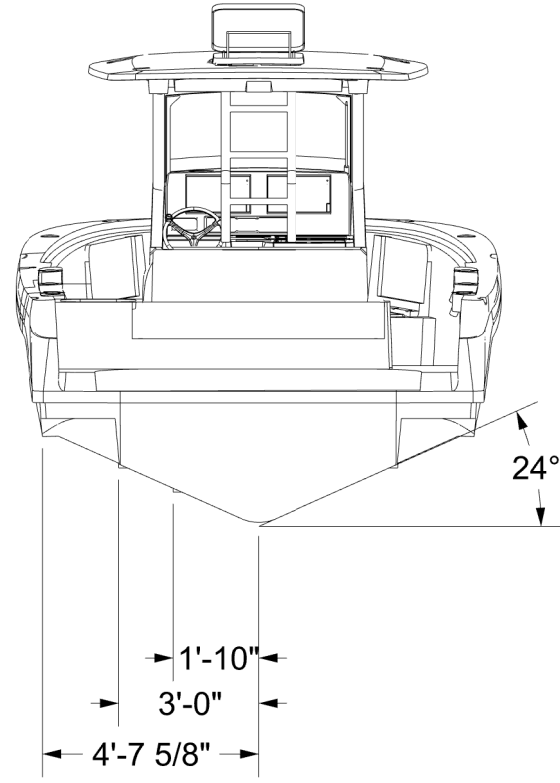
3

4

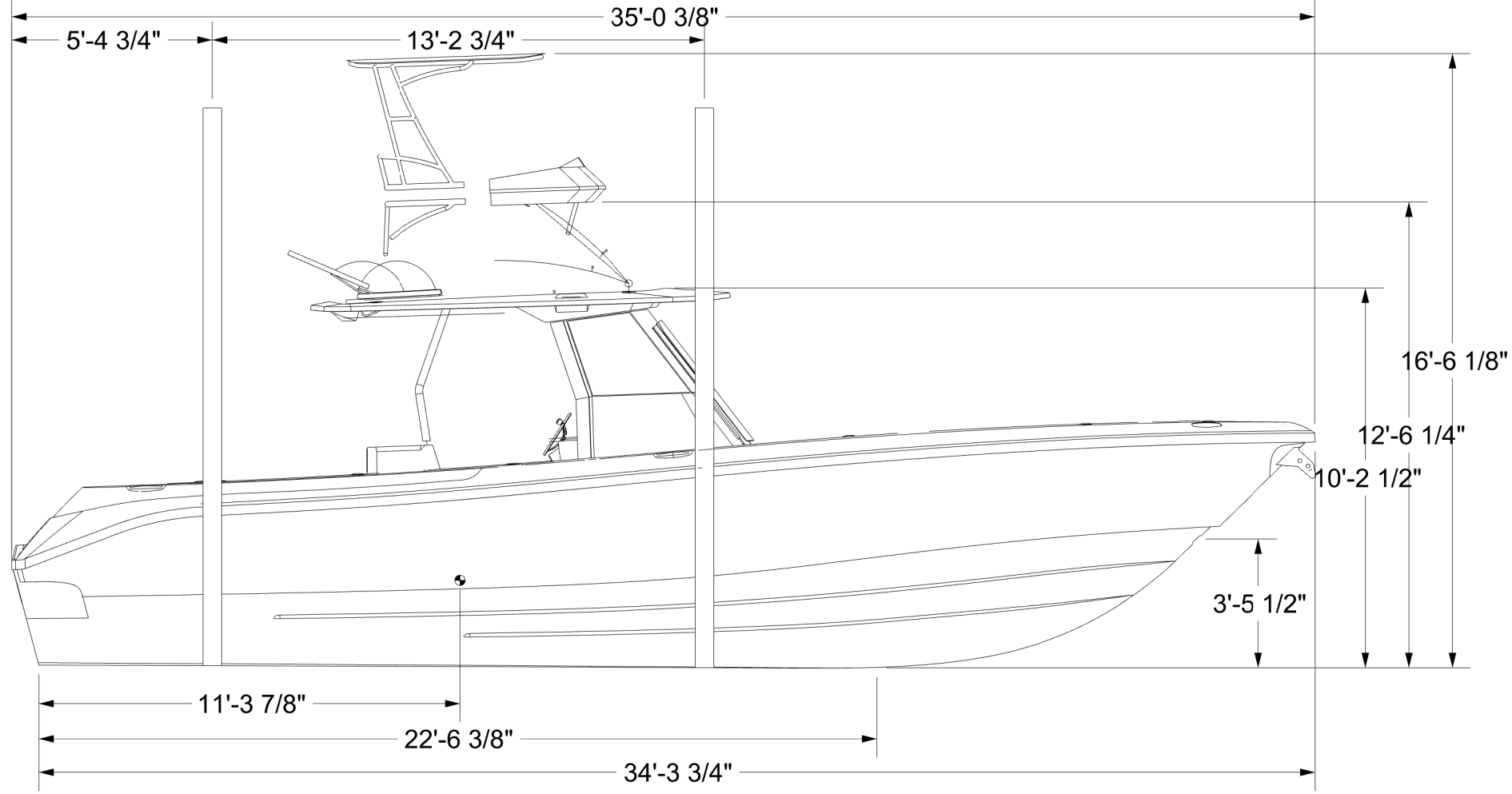
5

6

A



B



C

D

1

2

3

4

5

6

Rev	Description	Date	App by

EVERGLADES
RJ Dougherty Associates
544 S Airpark rd.
Edgewater, FL 32132-3043
386-4092202

Title: GRAVING PLAN	Scale: 1/4" = 1'-0"	Dwg No: 02-100	Drawn by: RB
	Model: 355CC	Date: 06/16/16	Sheet: 1 of 1
Part No. 355CC	Appr by:	Chkd by:	

This document and the information contained herein are the exclusive property of R.J. Dougherty & Associates. This document may not be copied, disclosed, or distributed in any manner without written consent from R.J. Dougherty and associates.

05/18/16