

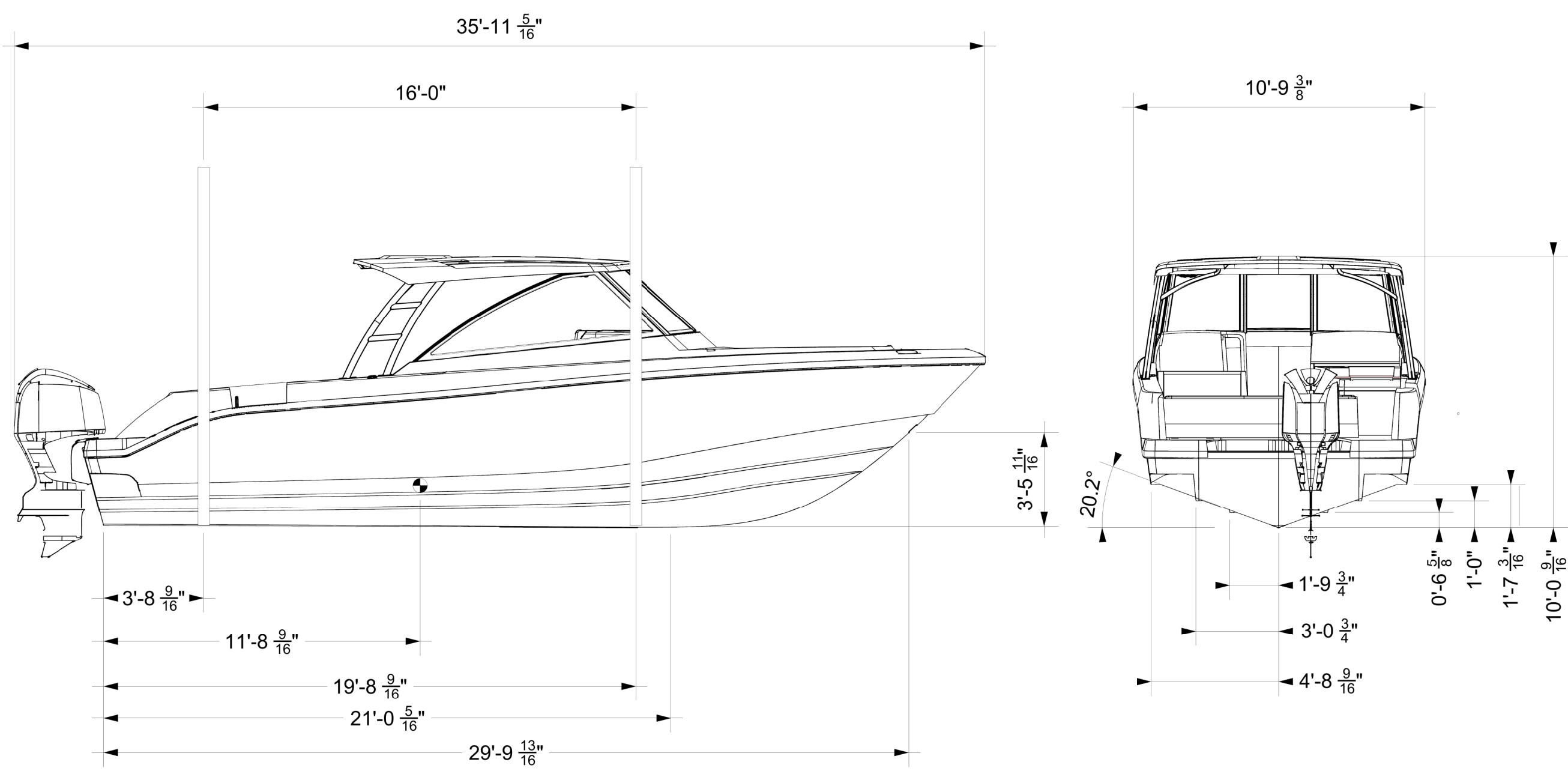
1 2 3 4 5 6

A

B

C

D



NOTES:  
 1) APPROXIMATE DRY WEIGHT (TWIN 425'S): 14290 LBS  
 2) APPROXIMATE FULL FLUIDS (TWIN 425'S): 16620 LBS  
 3) WEIGHTS INCLUDE TWIN 425'X, SEAKEEPER, AND DIESEL GENERATOR OPTIONS

1 2 3 4 5 6

Rev	Description	Date	App by

**EVERGLADES**  
 RJ Dougherty Associates  
 544 S Airpark rd.  
 Edgewater, FL 32132-3043  
 386-4092202

Drawn by:  
 Z. EDMUNDS

Appr by:  
 Chkd by:

Dwg No:  
 340-190-01B

Sheet:  
 1 OF 1

Scale:  
 NTS

Date:  
 10/30/2018

Title:  
 GRAVING PLAN

Model:  
 340 DC

Part No.