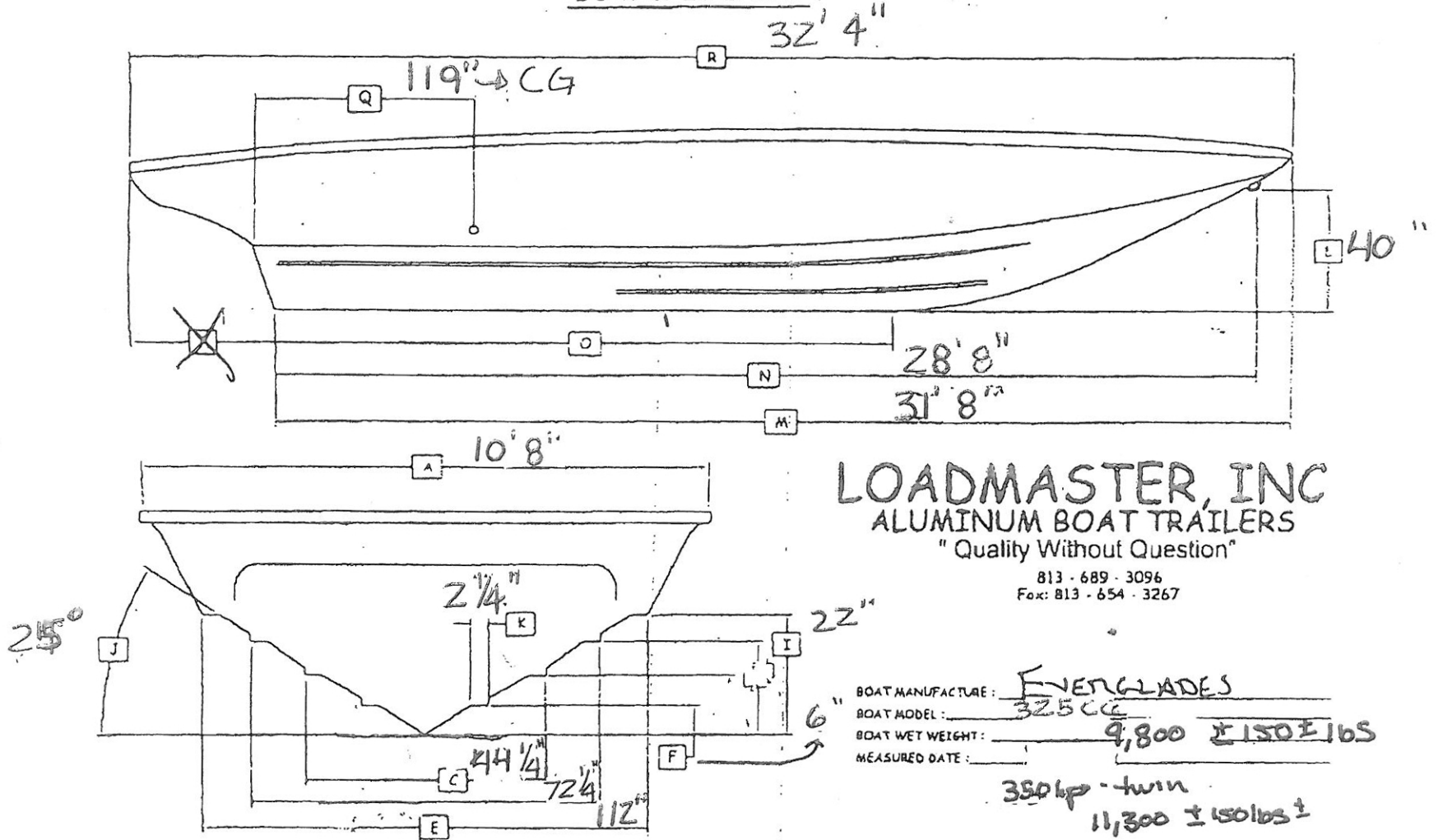


325 CC - EVERGLADES

BOAT SPEC SHEET



**LOADMASTER, INC**  
 ALUMINUM BOAT TRAILERS  
 "Quality Without Question"

813 - 689 - 3096  
 Fax: 813 - 654 - 3267

BOAT MANUFACTURE: EVERGLADES  
 BOAT MODEL: 325 CC  
 BOAT WET WEIGHT: 9,800 ± 150 ± lbs  
 MEASURED DATE: \_\_\_\_\_  
350hp - twin  
11,300 ± 150 lbs ±

- A.) MAXIMUM BEAM: \_\_\_\_\_
- B.) 1st STRAKE: \_\_\_\_\_
- C.) 2nd STRAKE: \_\_\_\_\_
- D.) 3rd STRAKE: \_\_\_\_\_
- E.) MAXIMUM OUTRIGER BEAM: \_\_\_\_\_
- F.) 1st VERTICAL DROP TO KEEL: \_\_\_\_\_
- G.) 2nd VERTICAL DROP TO KEEL: \_\_\_\_\_
- H.) 3rd VERTICAL DROP TO KEEL: \_\_\_\_\_
- I.) 4th VERTICAL DROP TO KEEL: \_\_\_\_\_

- J.) DEADRISE AT TRANSOM: \_\_\_\_\_
- K.) STRAKE WIDTH: \_\_\_\_\_
- L.) VERTICAL DROP: \_\_\_\_\_
- M.) BOW TO TRANSOM / KEEL INTERSECTION: \_\_\_\_\_
- N.) BOW EYE TO TRANSOM / KEEL INTERSECTION: \_\_\_\_\_
- O.) RUNNING SURFACE AT KEEL: \_\_\_\_\_
- P.) SWIM PLATFORM: \_\_\_\_\_
- Q.) CENTER OF GRAVITY: \_\_\_\_\_
- R.) LENGTH OVERALL: \_\_\_\_\_