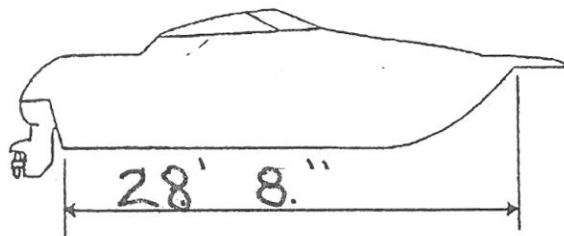


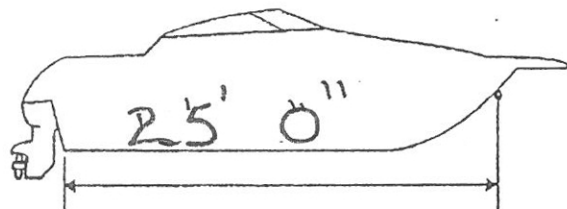
ROAD KING TRAILERS

BOAT/TRAILER MEASUREMENT CHART

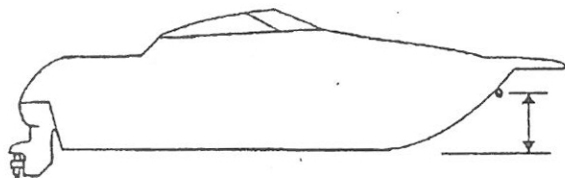
BOAT MANUFACTURER: EVERGLADES
 BOAT MODEL: 290 PILOT / 290 CC
 BOAT WEIGHT: 7,300 LBS ± 150 LBS variation
8,400 W/ENGINE, 200 FUEL CAPACITY
 TWIN 300HP
 DEALER NAME: _____
 MEASURED BY: _____



Overall length without platform or pulpit.



Length from transom to bow eye.



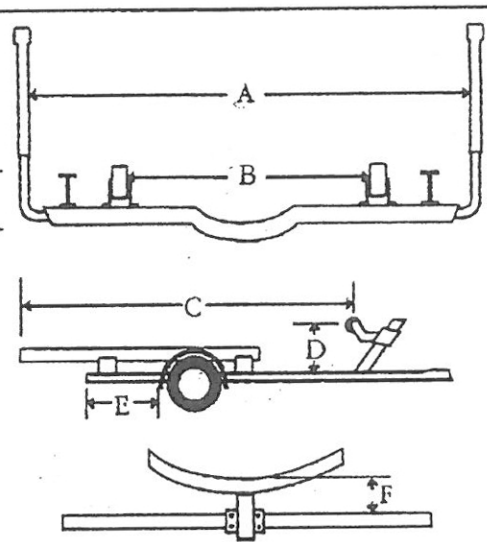
Approximate Distance from Bottom of Keel to Bow eye.

24 Or from top of trailer frame to bow eye.

TRAILER SET-UP SPECS

Model # _____

- A. Distance between guides 9' 6"
- B. Distance between bunks 54"
- C. Distance from rear of bunks to center of bow roller 24' 6"
- D. Distance from top of frame to center of bow roller 25
- E. Rear of frame to rear of undercarriage step 16"
- F. Top center of cradle to top of crossmember _____



- A. Approximate distance between side wood guides _____
- B. Bottom width of boat 8' 6"
- C. Outer chine 68"
- D. Inner chine 36"
- E. Approximate rise of boat 16"
- F. Beam of boat 9' 9"

