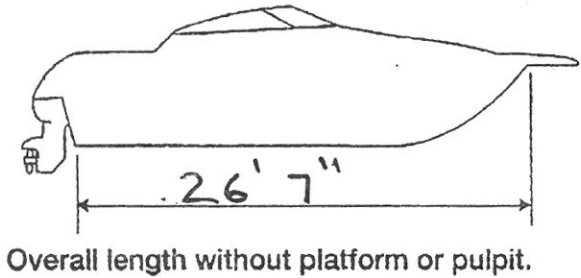


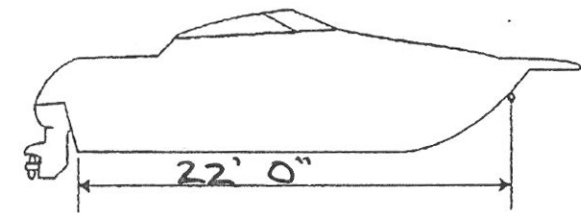


BOAT/TRAILER MEASUREMENT CHART

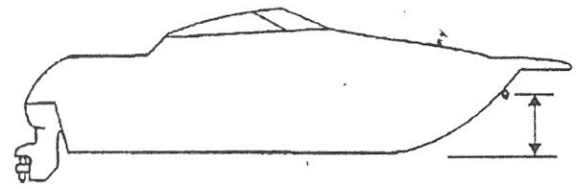
BOAT MANUFACTURER: EVERGLADES
 BOAT MODEL: 260 CC 270 CC
 BOAT WEIGHT: 4700 lbs.
6000 W/ENGINE 200 FUEL CAPACITY
TWIN
 DEALER NAME: _____
 MEASURED BY: _____



Overall length without platform or pulpit.



Length from transom to bow eye.

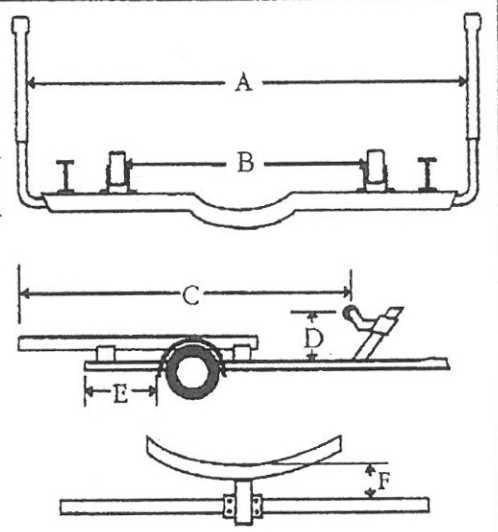


27" Approximate Distance from Bottom of Keel to Bow eye.
 _____ Or from top of trailer frame to bow eye.

TRAILER SET-UP SPECS

Model # _____

- A. Distance between guides _____
- B. Distance between bunks 50"
- C. Distance from rear of bunks to center of bow roller 25' 6"
- D. Distance from top of frame to center of bow roller 24"
- E. Rear of frame to rear of undercarriage step 24"
- F. Top center of cradle to top of crossmember 9"



- A. Approximate distance between side wood guides 9' 9"
- B. Bottom width of boat 8' 3"
- C. Outer chine 5' 4"
- D. Inner chine 3' 6"
- E. Approximate rise of boat 18"
- F. Beam of boat 9' 9"

